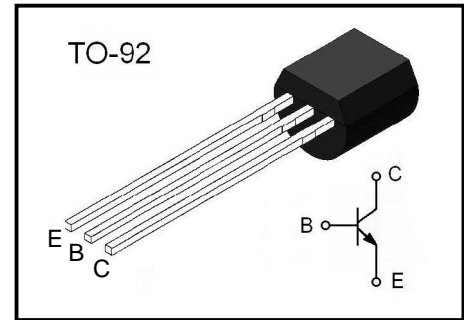


NPN Plastic-Encapsulate Transistors

High Voltage Transistor

This device is designed for application as a video output to drive color CRT and other high voltage applications

➤Complement to MPSA92



Absolute Maximum Ratings (Ta=25°C)

Parameter	Symbol	Value	Unit
Collector-Base Voltage	BV_{CBO}	300	V
Collector-Emitter Voltage	BV_{CEO}	300	V
Emitter-Base Voltage	BV_{EBO}	6	V
Collector Current	I_C	500	mA
Collector Power Dissipation	P_D	625	mW
Junction Temperature	T_j	150	°C
Storage Temperature	T_{stg}	-55~+150	°C

Electrical Characteristics (Ta=25°C)

Parameter	Symbol	Conditions	Value			Unit
			Min	Typ	Max	
Collector-base breakdown voltage	BV_{CBO}	$I_C=100\mu A, I_E=0$	300			V
Collector-emitter breakdown voltage	BV_{CEO}	$I_C=1mA, I_B=0$	300			V
Emitter-base breakdown voltage	BV_{EBO}	$I_E=100\mu A, I_C=0$	6			V
Collector cut-off current	I_{CBO}	$V_{CB}=200V, I_E=0$			0.1	μA
Emitter cut-off current	I_{EBO}	$V_{EB}=6V, I_C=0$			0.1	μA
DC current gain	h_{FE}	$V_{CE}=10V, I_B=1mA$	25			
		$V_{CE}=10V, I_B=10mA$	40			
		$V_{CE}=10V, I_B=30mA$	40			
Collector-emitter saturation voltage	$V_{CE(sat)}$	$I_C=20mA, I_B=2mA$			0.5	V
Base-emitter saturation voltage	$V_{BE(sat)}$	$I_C=20mA, I_B=2mA$			0.9	V
Transition frequency	f_T	$V_{CE}=20V, I_B=10mA$	40			MHz

Typical Characteristics

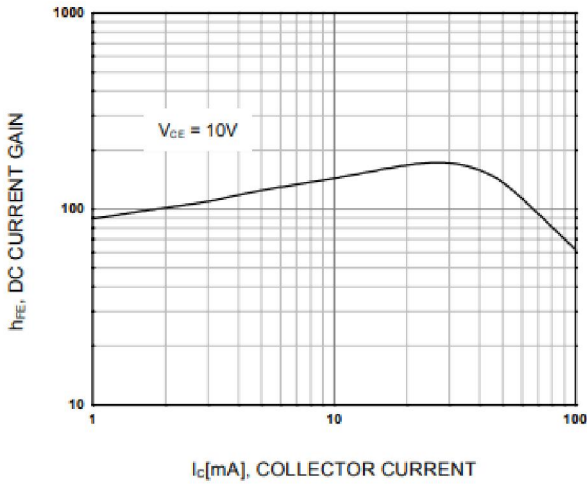


Figure 1. DC current Gain

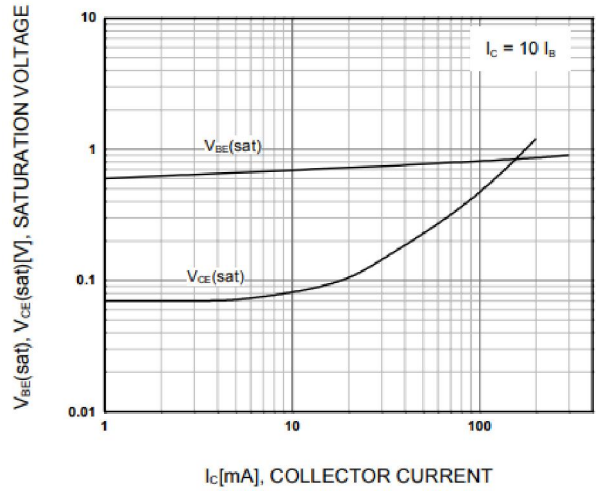


Figure 2. Base-Emitter Saturation Voltage
Collector-Emitter Saturation Voltage

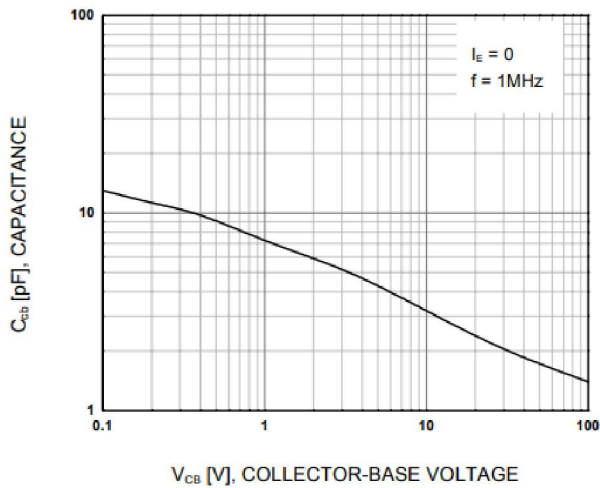


Figure 3. Collector-Base Capacitance

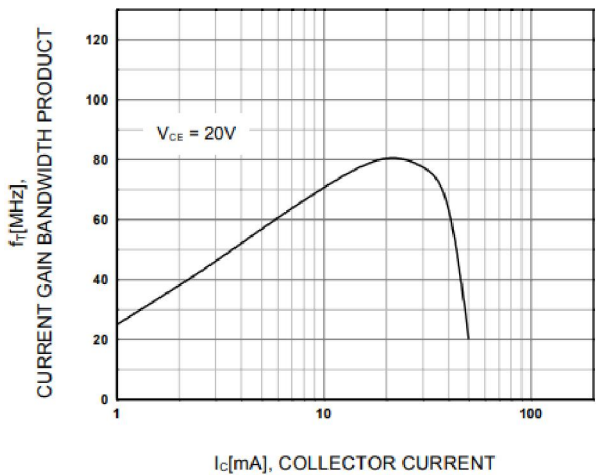


Figure 4. Current Gain Bandwidth Product

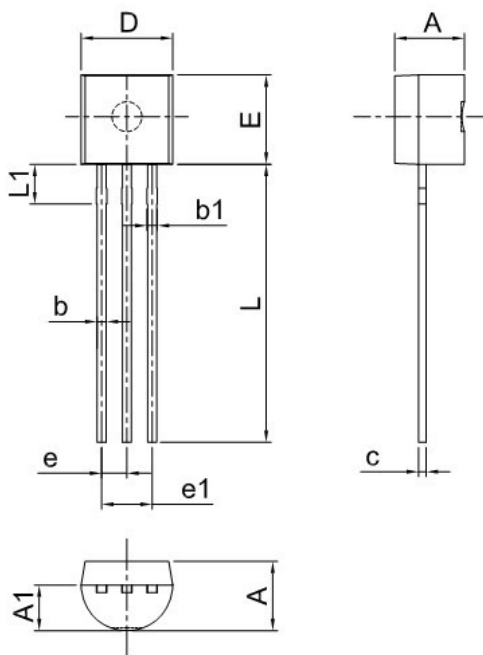
Ordering information

Package	Packing Description	Base Quantity
TO-92	Bulk	1000pcs/Bag
	Tape	2000pcs/Box

Package Dimensions

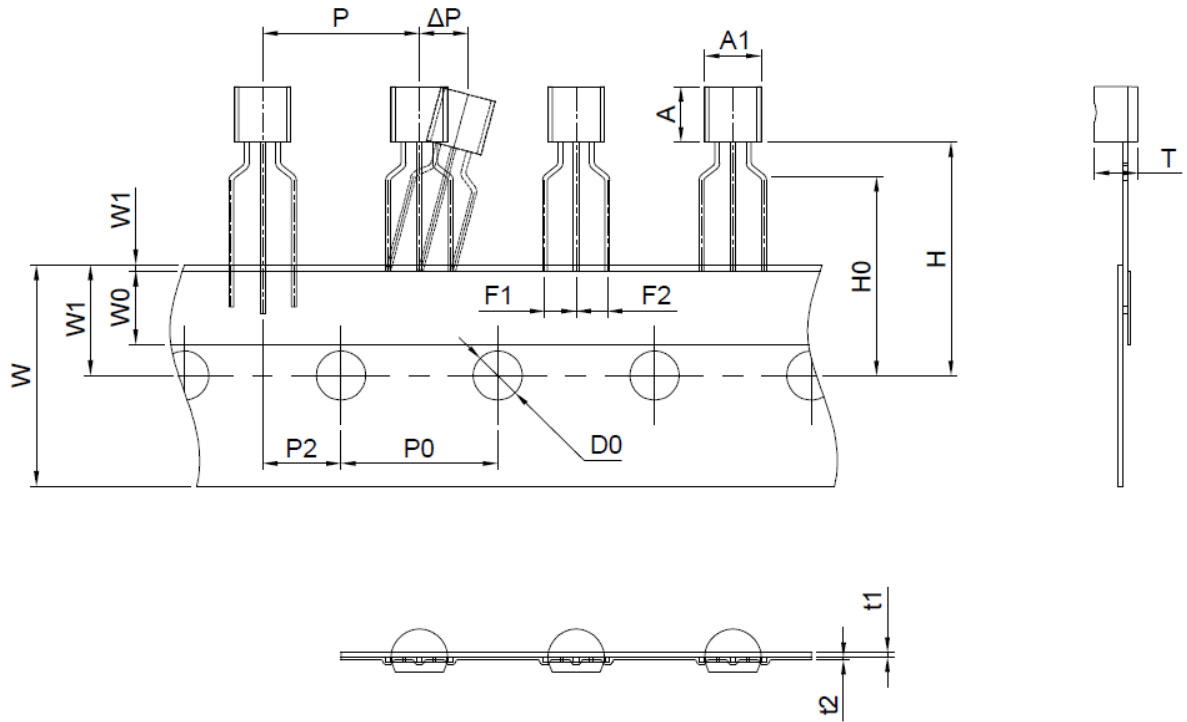
TO-92

Dim	Millimeter		Inches	
	Min.	Max.	Min.	Max.
A	3.30	3.70	0.130	0.146
A1	2.30	2.70	0.091	0.106
b	0.40	0.50	0.016	0.020
b1	0.50	0.70	0.020	0.028
c	0.35	0.45	0.014	0.018
D	4.45	4.70	0.175	0.185
E	4.40	4.65	0.173	0.183
e	1.17	1.37	0.046	0.054
e1	2.34	2.64	0.092	0.104
L	13.50	14.50	0.531	0.571
L1	1.80	2.20	0.071	0.087

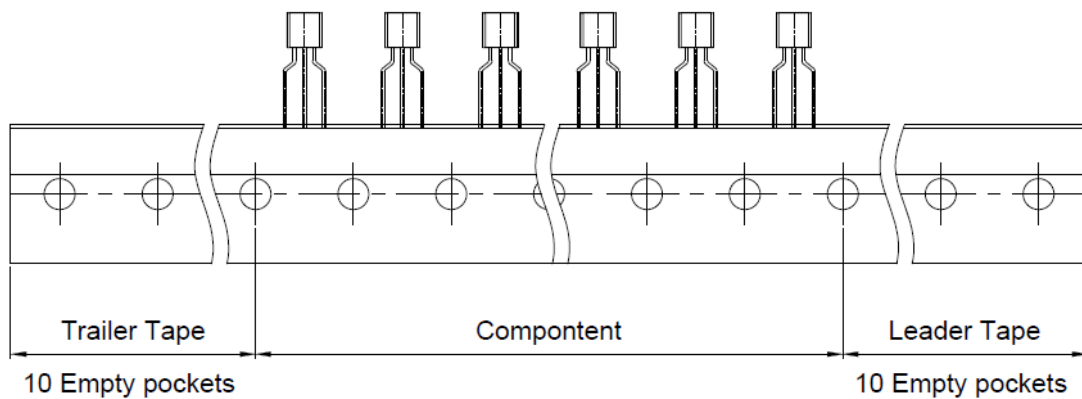


Taping Dimensions

TO-92



Dimensions are in millimeter								
A	A1	T	P	P0	P2	F1	F2	W
4.6	4.6	3.5	12.7	12.7	6.35	2.54	2.54	18.0
W0	W1	W2	H	H0	D0	t1	T2	ΔP
6.0	9.0	1.0Max	19.0	18.0	4.0	0.4	0.2	0



Disclaimer

The information presented in this document is for reference only. GuangDong Youfeng Microelectronics Co.,Ltd. reserves the right to make changes without notice for the specification of the products displayed herein to improve reliability, function or design or otherwise. The product listed herein is designed to be used with ordinary electronic equipment or devices, and not designed to be used with equipment or devices which require high level of reliability and the malfunction of which would directly endanger human life (such as medical instruments, transportation equipment, aerospace machinery, nuclear-reactor controllers, fuel controllers and other safety devices), YFW or anyone on its behalf, assumes no responsibility or liability for any damages resulting from such improper use of sale. This publication supersedes & replaces all information previously supplied. For additional information, please visit our website <https://www.yfwdiode.com>, or consult YFW sales office for further assistance.